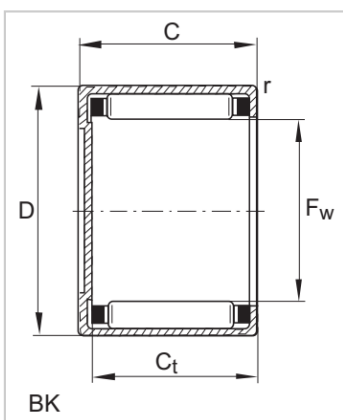
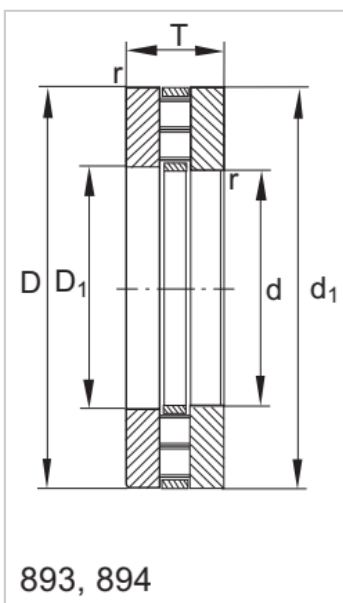


Drawn Cup Needle Bearings

HK、BK Series-**HK0606**

参数信息:



Open type :

| | |
|-----------------|--------|
| Bearing model : | HK0606 |
| Mass (g) : | 1.5 |

Sealing type :

| | |
|-----------------|---|
| Bearing model : | - |
| Mass (g) : | - |

Dimension (mm) :

| | |
|-----------|-----|
| Fw : | 6 |
| D : | 10 |
| C -0.3 : | 6 |
| Ct min. : | - |
| r min. : | 0.4 |

Basic rated load :

| | |
|-------|------|
| Cr : | 1610 |
| Cor : | 1220 |

Ultimate fatigue load : 167

| | |
|-------------------|-------|
| Limit speed : | 35000 |
| Reference speed : | 28500 |

Matching inner ring :

| | |
|------|---|
| LR : | - |
| IR : | - |

: