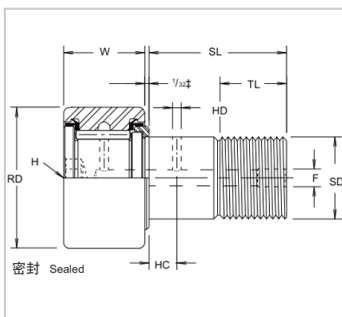


Stud Type Track Rollers

CCFH-SB Series-CCFH-1 1/8-SB

参数信息:



|                                    |                  |
|------------------------------------|------------------|
| Bearing model :                    | CCFH-1<br>1/8-SB |
| external diameter :                | 1.125            |
| width :                            | .625             |
| Shaft diameter :                   | .625             |
| Shaft length :                     | 1                |
| Minimum thread<br>length :         | 1/2              |
| Pitch :                            | 5/8-18           |
| Oil hole :                         |                  |
| HC :                               | 1/4              |
| HD :                               | 3/32             |
| Grease nipple :                    | 3/16             |
| Recommended<br>tightening torque : | 650              |
| Dynamic load :                     | 6120             |
| static load :                      | 2225             |

: