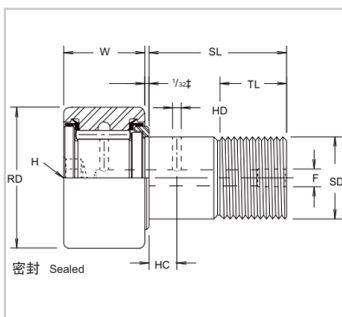


Stud Type Track Rollers

CCFH-SB Series-CCFH-7/8-SB

参数信息:



Bearing model :	CCFH-7/8-S B
external diameter :	.875
width :	.500
Shaft diameter :	.4375
Shaft length :	718
Minimum thread length :	3/8
Pitch :	7/16-20
Oil hole :	
HC :	1/4
HD :	3/32
Grease nipple :	3/16
Recommended tightening torque :	250
Dynamic load :	4130
static load :	1660

: