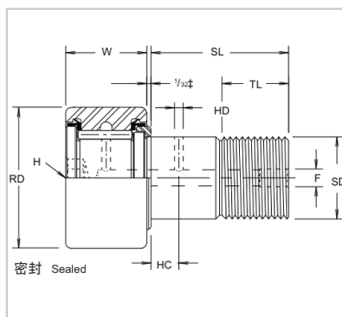


Stud Type Track Rollers

CCFH-SB Series-**CCFH-5/8-SB**

参数信息:



Bearing model :	CCFH-5/8-S B
external diameter :	.625
width :	.4375
Shaft diameter :	.3125
Shaft length :	3/4
Minimum thread length :	5/16
Pitch :	5/16-24
Oil hole :	
HC :	-
HD :	-
Grease nipple :	-
Recommended tightening torque :	90
Dynamic load :	2480
static load :	955

: