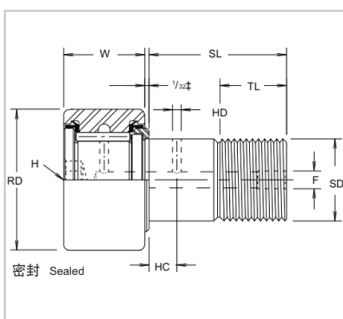


Stud Type Track Rollers

CCFH-SB Series-**CCFH-1 3/8-SB**

参数信息:



Bearing model :	CCFH-1 3/8-SB
external diameter :	1.375
width :	.750
Shaft diameter :	.750
Shaft length :	1 1/4
Minimum thread length :	5/8
Pitch :	3/4-16
Oil hole :	
HC :	5/16
HD :	3/32
Grease nipple :	3/16
Recommended tightening torque :	1250
Dynamic load :	8500
static load :	3930

: