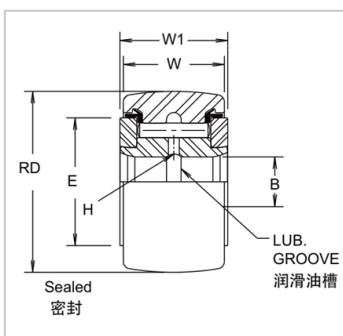
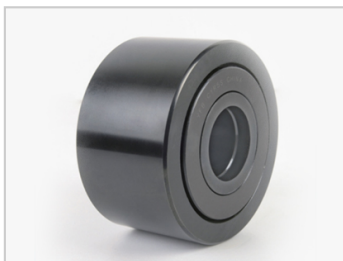


Track Roller Bearings

CRY Series-CYR-2|CYR-2-S|CCYR-2-S

参数信息:



No seal :	CYR-2
seal up :	CYR-2-S
seal up :	CCYR-2-S
external diameter :	2.000
width :	1.250

Inner diameter (b) :

NOM. :	.625
TOL. :	+0.0002 ~-0.0004
Inner ring height (W1) :	1.3125
Outer diameter of retaining ring :	1.40625
Oil (H) :	3/32
Dynamic load :	21140
static load :	8090

: